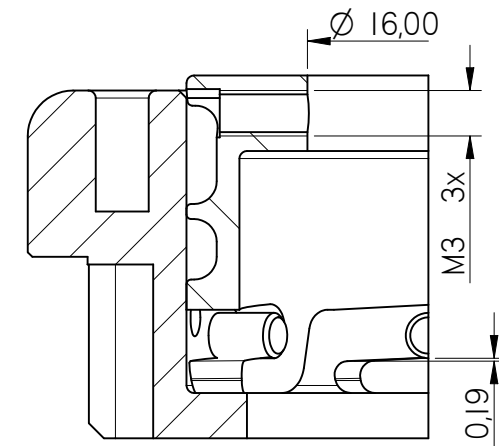
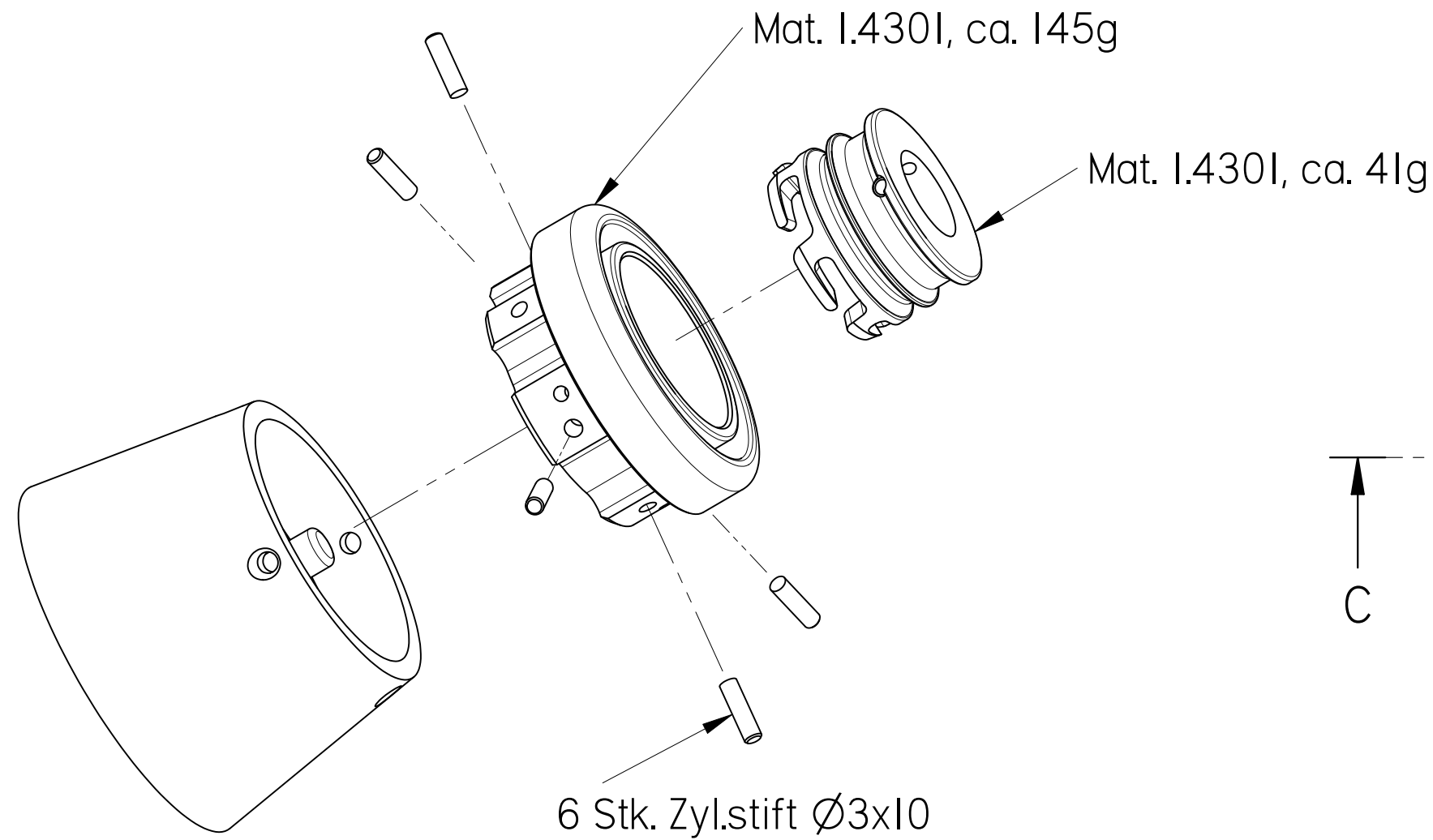
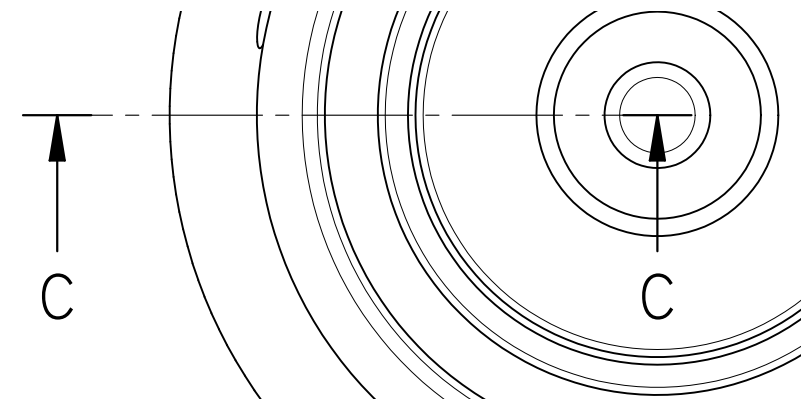



REVISION HISTORY			
REV	DESCRIPTION	DATE	APPROVED



Schnitt C-C



	NAME	DATE	UNLESS OTHERWISE SPECIFIED DIMENSIONS ARE IN MILLIMETERS ANGLES ±X.X°, 2 PL ±X.XX 3 PL ±X.XXX	
DRAWN	mue	01/11/09	TITLE	
CHECKED			SIZE A3 DWG NO	
ENG APPR			REV	
MGR APPR			FILE NAME: Aufnahme_02.dft	
 MDP Meili AG CH-8259 Kaltenbach www.mdpmeili.ch			SCALE:	WEIGHT:
			SHEET 1 OF 1	